

PARTS LIST

[FS-SD1000]
 (CA-FSSD1000/SP-PW1000/SP-FSSD1000)

* All printed circuit boards and its assemblies are not available as service parts.

Area suffix	
J -----	U.S.A.
C -----	Canada

- Contents -

Exploded view of general assembly and parts list(CA-FSSD1000)	3- 2
Exploded view of general assembly and parts list(SP-PW1000)	3- 5
Electrical parts list	3- 7
Packing materials and accessories parts list.....	3-16

Parts list(General assembly) CA-FSSD1000

Block No. M1MM

△	Item	Parts number	Parts name	Q'ty	Description	Area
	1	LV10325-001A	FRONT PANEL	1	MIPS/PAINT/SILK	
	2	LV31677-001A	PUSH BUTTON 1	2	ABS/PLATING	
	3	QYSDSF2608Z	SCREW	7	FRONT+SW PWB+BT	
	4	GN30001-002A	LENS	1	PMMA/HOT STAMP	
	5	LV31679-001A	LCD CASE	1	ABS	
	6	LV41519-001A	SHEET	1	LCD FILTER	
	7	LV31680-001A	REFLECTOR	1	PMMA/MILKY	
	8	LV41520-001A	INDICATOR	1	STANDBY LED	
	9	KSM-900AAH	CD MECHA	1	CD MECHA	
	10	QYSDSF2608Z	SCREW	7	CD CHASSIS+TOP	
	11	LV40770-002A	INSULATOR	3		
	12	LV30064-008A	SPACER	1		
	13	LV10326-002A	CD CHASSIS	1	MIPS	
	14	LV31687-001A	MOTOR BASE	1	ABS	
	15	LV41522-002A	WORM GEAR	1	POM	
	16	LV41523-001A	WORM WHEEL	1	POM	
	17	LV41536-001A	PULLEY	1	POM	
	18	LV41598-001A	BELT	1		
	19	QAR0100-001	DC MOTOR	1		
	20	QYSPSP3004Z	SCREW	2	DC MOTOR+M.BASE	
	21	QYSBST3006Z	T.SCREW	3	MOTER.B+BOTTOM.	
	22	LV31688-001A	WHEEL STOPPER	1	ABS	
	23	LV41524-001A	MAIN GEAR	1	POM	
	24	LV31690-001A	ARM	2	ABS	
	25	LV31691-001A	G.WHEEL(L)	1	POM	
	26	LV31692-001A	G.WHEEL(R)	1	POM	
	27	LV31693-001A	G.GEAR(L)	1	PBT	
	28	LV31694-001A	G.GEAR(R)	1	PBT	
	29	LV31695-001A	ARM GEAR(L)	1	PBT	
	30	LV31696-001A	ARM GEAR(R)	1	PBT	
	31	LV31697-002A	GEAR BASE(L)	1	PBT	
	32	QYSBST3006Z	T.SCREW	4	GEAR.B+BOTTOM	
	33	LV31698-002A	GEAR BASE(R)	1	PBT	
	34	LV31689-002A	SHAFT 1	1	COST DOWN	
	35	LV32127-001A	GEAR BKT(L)	1	EGC T1	
	36	LV32128-001A	GEAR BKT(R)	1	EGC T1	
	37	LV41929-001A	SHAFT 4	4	PBT	
	38	LV41930-001A	SHAFT 5	2	PBT	
	39	LV31701-001A	DOOR BASE	2	ABS	
	40	QYSPSFG2605N	SCREW	6	DOOR BASE+ARM	
	41	QYSPSPG3006Z	SCREW	2	SAFT 1+G.BASE	
	42	QYSDSF2606Z	SCREW	6	G.BKT+G.BASE	
	43	QYSDSF2606Z	SCREW	4	SW.PWB+G.BASE	
	44	QYREE6000X	E RING	2		
	45	LV10328-003A	CD DOOR	1	PMMA/SILK*2	
	46	LV31702-017A	DOOR COVER	1	PS/PAINT/SILK*2	
	47	LV41758-001A	CUSTOM SCREW	4	D.C.BKT+D.COVER	
	48	LV41587-001A	SPECIAL SCREW	4	CD DOOR+D.BASE	

■ Parts list(General assembly) CA-FSSD1000

Block No. M1MM

△	Item	Parts number	Parts name	Q'ty	Description	Area
	49	LV41819-001A	CD CAUTION	1		
	50	LV10329-001A	BOTTOM CHASSIS	1	EGC T1.0	
	51	LV30064-068A	SPACER	1	BOTTOM(e--ljb-h	
	52	LV30064-075A	SPACER	2	BOTTOM	
	53	QYSBST4006Z	T.SCREW	4	BOTTOM.C+TRANS	
	54	QYSBST3006Z	T.SCREW	1	BOTTOM.C+AMP PW	
	55	QYSST3006Z	SCREW	3	BOTTOM+FRONT.P	
	56	QYSBST3006E	T.SCREW	5	BOTTOM+MAIN PWB	
	57	QYSDSF2606Z	SCREW	2	BOTTOM+G.BASE	
	58	LV31901-002A	BURRER	1	BETW.AC&BTM	
	59	QAR0148-001	FAN MOTOR	1		
	60	LV41799-001A	FAN BRACKET	1		
	61	QYSPST3012Z	T.SCREW	2	FAN+F.BKT	
	62	QYSBST3006Z	T.SCREW	2	F.BKT+BOTTOM	
	63	LV10440-007A	TOP COVER	1	MIPS/PAINT/SILK	
	64	LV41821-001A	FELT	4	TOP(CD DOOR ---	
	65	LV31681-002A	PUSH BUTTON 3	1	ABS/PLATING	
	66	QYSDSF2608Z	SCREW	6	P.BTN3+PWB+TOP	
	67	LV41826-001A	SHIELD(A)	1		
	68	LV41828-002A	PROTECTOR	1	FOR TOP	
	69	LV30226-015A	SPACER	6		
	70	LV31682-002A	PUSH BUTTON 2	1	ABS/PLATINGR	
	72	LV41827-001A	SHIELD(R)	1		
	73	QYSBST3006Z	T.SCREW	4	BOTTOM.C+TOP	
	74	GN30008-003A	FUNC BTN ASSY	1		
	75	QYSDSF2606Z	SCREW	1	SPK.PWB+TOP	
	76	QYSDSF2606Z	SCREW	2	JACK PWB+TOP	
	77	LV31686-001A	LED BOX	1	MIPS/SPRAY	
	78	LV41521-001A	LED COVER	1	ABS	
	79	LV31704-001A	IC HOLDER	1	AL T2	
	80	QYSBSF3010Z	SCREW	2	IC+IC HOLDER	
	81	LV31849-001A	HEAT SINK2	1	AL T2	
	82	QYSBSF3010Z	SCREW	2	DIODE+H.SINK2	
	83	LV31705-002A	HEAT SINK	1	AL	
	84	LV31850-001A	HEAT SINK3	1	AL T2	
	85	QYSBSF3010Z	SCREW	2	TR+H.SINK3	
	86	QYSBSF3008E	SCREW	2	IC HOLDER+H.SIN	
	87	LV10330-001A	SIDE PANEL(L)	1	MIPS/PAINT	
	88	QYSST3006Z	SCREW	4	S.PANEL+BOTTOM	
	89	LV10331-001A	SIDE PANEL(R)	1	MIPS/PAINT	
	90	LV41832-001A	FOOT	4	SIDE PANEL	
	91	LV10332-002A	REAR PANEL	1	ABS/EMBOSS	
	92	QYSDSF2608N	SCREW	5	REAR+TOP	
	93	QYSDSG3008N	T.SCREW	7	REAR+JACK	
	94	QYSDSG3008N	T.SCREW	3	REAR+BOTTOM	
	95	LV32654-011A	RATING LABEL	1	SD1000J	
	96	LV41772-001A	CAUTION LABEL	1	REAR PANEL	
	97	VND5008-001	FCC LABEL(4)	1	VICTOR	

■ Parts list(General assembly) FS-SD1000

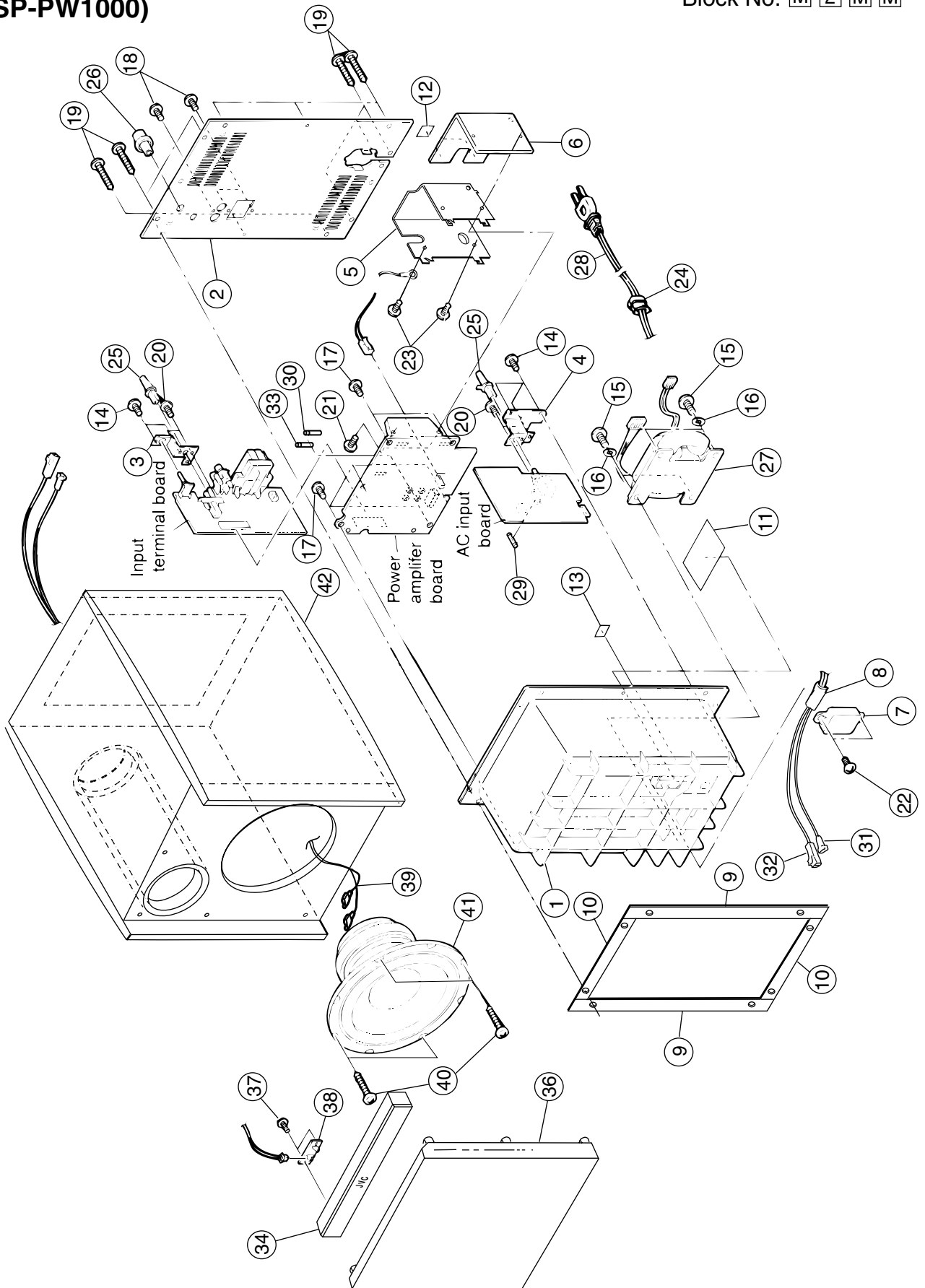
Block No. M1MM

△	Item	Parts number	Parts name	Q'ty	Description	Area
△	98	QQT0286-002	POWER TRANS	1	FOR T1901	
△	99	QMF51N2-1R0-J1	FUSE	1	FOR F1901	
△	100	QMF51U1-8R0-J1	FUSE	1	FOR F1902	
△	101	QMF51U1-4R0-J1	FUSE	1	FOR F1903	
	102	WJM0133-001A	E-SI C WIRE C-F	1	MOTOR WIRE	
	103	QUQB12-1805BJ	FFC WIRE	1	MAIN - MICOM	
	104	QUQB12-0905BJ	FFC WIRE	1	MAIN - MICOM	
	105	QUQB12-0806AJ	FFC WIRE	1	MAIN - FUNCTION	
	DI801	QLD0120-001	LCD	1		

Exploded view of general assembly and parts list

(SP-PW1000)

Block No. M 2 M M



Parts list(General assembly) SP-PW1000

Block No. M2MM

△	Item	Parts number	Parts name	Q'ty	Description	Area
	1	LV10253-002A	COVER	1		
	2	LV20470-007A	BACK PANEL	1		
	3	LV41146-001A	VOLUME BRACKET	1		
	4	LV41147-001A	AC BRACKET	1		
△	5	LV31303-002A	HEAT SINK	1		
△	6	LV41211-001A	HEAT SINK	1		
	7	LV41148-002A	CORD COVER	1		
	8	LV30225-025A	SPACER	1		
	9	LV30225-026A	SPACER	2		
	10	LV30225-027A	SPACER	2		
	11	LV30225-028A	SPACER	1		
	12	LV30225-029A	SPACER	2		
	13	LV30225-030A	SPACER	1		
	14	QYSBSF3008Z	SCREW	5	FOR AC BRACKET	
	15	QYSBSF4016Z	SCREW	4	FOR TRANS	
	16	QYWLS417610Z	WASHER	4		
	17	QYSBSF3008Z	SCREW	6	FOR PCB	
	18	QYSBSGY3008E	SPECIAL SCREW	3	FOR SPK TERMINA	
	19	QYSDSA4020M	TAP SCREW	11		
	20	QYSBST3006Z	T.SCREW	4	FOR POWER SW	
	21	QYSBSG3016Z	T.SCREW	2	FOR POWER IC	
	22	QYSBSF4012Z	SCREW	2		
	23	QYSBSG3010Z	T.SCREW	2		
△	24	QHS3771-108	CORD STOPPER	1		
	25	E407321-002SM	PUSH BUTTON	2		
	26	LV30734-002A	KNOB	1		
△	27	QQT0265-002	POWER TRANS	1	FOR T2901	
△	28	QMPD220-200-JD	POWER CORD	1		
△	29	QMF51N2-2R0-J1	FUSE	1	FOR F2901	
△	30	QMF51N2-1R6-J1	FUSE	1	FOR F2911	
	31	WJJ0097-001A	E-SI C WIRE C-C	1		
	32	WJJ0098-001A	E-SI C WIRE C-C	1		
△	33	QMF51N2-1R6-J1	FUSE	1	FOR F2921	
	34	AA000023-01	ORNAMENT WINDOW	1		
	36	99-160-105-01	SARAN NET	1		
	37	7004690801	TAPPING SCREW	2		
	38	LV41212-001A	LED INDICATOR	1		
	39	61-000-632-01	CONN.WIRE ASSY	1		
	40	70-059-416-02	SCREW	4		
	41	KK160004-01	CONE SPEAKER	1		
	42	AA000022-02	SPEAKER CABINET	1		

■ Electrical parts list(Main board)

Block No. 01

△	Item	Parts number	Parts name	Remarks	Area	△	Item	Parts number	Parts name	Remarks	Area
	C 1	NCB21HK-223X	C CAPACITOR				C1104	QFZ0160-123Z	M CAPACITOR	AHB	
	C 2	NCB21HK-102X	C CAPACITOR				C1105	QUY150-050Y	BUS WIRE	FOR C1105	
	C 3	NCB21EK-473X	C CAPACITOR				C1106	QTE1C06-226Z	E CAPACITOR	AHB	
	C 4	NCB21HK-103X	C CAPACITOR				C1107	QETN1HM-475Z	E CAPACITOR	HP	
	C 5	QEKC1CM-106Z	E CAPACITOR	10MF 20% 16V			C1108	NCS21HJ-151X	C CAPACITOR	HP	
	C 6	NCB21HK-102X	C CAPACITOR				C1109	NCS21HJ-222X	C CAPACITOR	HP	
	C 9	NCB21HK-102X	C CAPACITOR				C1110	NFV41HJ-272X	M CAPACITOR		
	C 12	NDU21HJ-100X	C CAPACITOR				C1201	QFN31HJ-562Z	M CAPACITOR	MPX	
	C 13	NCB21EK-473X	C CAPACITOR				C1203	QFZ0160-123Z	M CAPACITOR	AHB	
	C 14	NCB21HK-103X	C CAPACITOR				C1204	QFZ0160-123Z	M CAPACITOR	AHB	
	C 21	NCB21EK-473X	C CAPACITOR				C1205	QUY150-050Y	BUS WIRE	FOR C1105	
	C 30	QEKC1CM-476Z	E.CAPACITOR	47MF 20% 16V			C1206	QTE1C06-226Z	E CAPACITOR	AHB	
	C 32	NCB21HK-102X	C CAPACITOR				C1207	QETN1HM-475Z	E CAPACITOR	HP	
	C 33	QEKC1AM-107Z	E.CAPACITOR	100MF 20% 10V			C1208	NCS21HJ-151X	C CAPACITOR	HP	
	C 34	NCS21HJ-150X	C CAPACITOR				C1209	NCS21HJ-222X	C CAPACITOR	HP	
	C 35	NCB21HK-102X	C CAPACITOR				C1210	NFV41HJ-272X	M CAPACITOR		
	C 36	QEKC1CM-106Z	E CAPACITOR	10MF 20% 16V			C1302	QETN1EM-476Z	E CAPACITOR	AHB	
	C 37	NCB21EK-473X	C CAPACITOR				C1303	QTE1C06-476Z	E CAPACITOR	AHB	
	C 39	NCB21EK-473X	C CAPACITOR				C1305	QETN1VM-107Z	E CAPACITOR	HP	
	C 40	NCB21HK-103X	C CAPACITOR				C1306	QETN1CM-476Z	E CAPACITOR	HP	
	C 41	QEKC1HM-104Z	E CAPACITOR	.10MF 20% 50V			C1307	QETN1HM-106Z	E CAPACITOR	HP.MUTE.D	
	C 42	QEKC1HM-474Z	E CAPACITOR	.47MF 20% 50V			C1308	QETN1HM-106Z	E CAPACITOR	S.MUTE.D	
	C 44	NCS21HJ-221X	C CAPACITOR				C1801	QETN1HM-106Z	E CAPACITOR	M.DRIVE	
	C 45	QEKC1HM-335Z	E CAPACITOR	3.3MF 20% 50V			C1802	QETN1VM-107Z	E CAPACITOR	M.DRIVE	
	C 46	NCB21HK-223X	C CAPACITOR				C1803	QFN31HJ-102Z	M CAPACITOR	M.DRIVE	
	C 47	NCB21HK-103X	C CAPACITOR			△	C1901	QFVJ1HJ-104Z	MF CAPACITOR	HV	
	C 49	NCB21HK-223X	C CAPACITOR			△	C1902	QFVJ1HJ-104Z	MF CAPACITOR	HV	
	C 50	NCB21HK-223X	C CAPACITOR			△	C1903	QFVJ1HJ-104Z	MF CAPACITOR	HV	
	C 51	QETN1HM-475Z	E CAPACITOR	4.7MF 20% 50V		△	C1904	QFVJ1HJ-104Z	MF CAPACITOR	HV	
	C 52	QETN1HM-475Z	E CAPACITOR	4.7MF 20% 50V		△	C1905	QFVJ1HJ-104Z	MF CAPACITOR	LV	
	C 60	QEKC1AM-107Z	E.CAPACITOR	100MF 20% 10V		△	C1906	QFVJ1HJ-104Z	MF CAPACITOR	LV	
	C 61	NCS21HJ-120X	C CAPACITOR			△	C1907	QFVJ1HJ-104Z	MF CAPACITOR	LV	
	C 62	NCS21HJ-120X	C CAPACITOR			△	C1908	QFVJ1HJ-104Z	MF CAPACITOR	LV	
	C 63	NCB21EK-473X	C CAPACITOR			△	C1910	QEZ0536-828	E CAPACITOR	HV	
	C 65	NCB21HK-102X	C CAPACITOR			△	C1911	QTE1E23-688	E.CAPACITOR	LV	
	C 66	NCS21HJ-151X	C CAPACITOR				C1912	NCS21HJ-221X	C CAPACITOR	SW10	
	C 67	NCS21HJ-101X	C CAPACITOR				C1913	NCB21HK-103X	C CAPACITOR	SW10	
	C 68	NCS21HJ-101X	C CAPACITOR				C1914	QETN1HM-476Z	E CAPACITOR	SW10	
	C 69	QEKC1HM-225Z	E CAPACITOR	2.2MF 20% 50V			C1915	QTE1C06-226Z	E CAPACITOR	L.FIL	
	C 70	NCB21HK-392X	C CAPACITOR				C1916	NCS21HJ-221X	C CAPACITOR	CD6.5	
	C 71	QEKC1HM-335Z	E CAPACITOR	3.3MF 20% 50V			C1917	NCB21HK-103X	C CAPACITOR	CD6.5	
	C 72	NCB21HK-102X	C CAPACITOR				C1918	QTE1E06-476Z	E CAPACITOR	CD6.5	
	C 91	NCB21HK-103X	C CAPACITOR				C1919	QETN1CM-106Z	E CAPACITOR	BL7	
	CF 1	QAX0419-001Z	C FILTER	FM IF			C1920	QETN1EM-226Z	E CAPACITOR	BL7	
	CF 2	QAX0419-001Z	C FILTER	FM IF			C1921	QFVJ1HJ-104Z	MF CAPACITOR	US5	
	CF 3	QAX0418-001Z	C FILTER				C1922	QETN1EM-106Z	E CAPACITOR	US5	
	CF 4	QAX0409-001	CERA LOCK				C1923	QETN1HM-475Z	E CAPACITOR	TU5	
	CN101	QGF1201F3-08	CONNECTOR	TO.FUNC.			C1924	QETN1CM-107Z	E CAPACITOR	TU5	
	CN102	QGA2501C1-06	6P CONNECTOR	TO.PO.			C1925	QFZ0160-223Z	PP CAPACITOR	CD6.5	
	CN103	QGB1216J1-08S	CONNECTOR	TO.FRONT			C1926	QCB1HK-103Y	C CAPACITOR	LV	
	CN104	QGF1201F3-09	CONNECTOR	TO.MICOM			C1927	QCB1HK-103Y	C CAPACITOR	HV	
	CN105	QGF1201F3-18	CONNECTOR	TO.MICOM			C1928	QCB1HK-103Y	C CAPACITOR	RY	
	CN106	QGA2501C1-02	2P CONNECTOR	TO.MOTOR			C1929	NCB21HK-103X	C CAPACITOR	RY	
	CN181	QGA2001C1-02	2P PLUG ASSY				C3101	QTE1V06-106Z	E CAPACITOR	IN	
	CN191	QGA7901C1-02	CONNECTOR	PRI.			C3102	QCB1HK-681Y	C CAPACITOR	IN	
	CN192	QGA3901C1-04	4P CONNECTOR	SEC.			C3103	QCB1HK-104Y	TF CAPACITOR	OUT	
	CN193	QGA2501C1-07	7P CONNECTOR	TO.PO.			C3104	QCB1HK-104Y	TF CAPACITOR	OUT	
	CN301	QGA2501F1-04	CONNECTOR	FROM SP.JACK			C3201	QTE1V06-106Z	E CAPACITOR	IN	
	CN801	QGB1216K1-08S	CONNECTOR	TO AMP/TUNER			C3202	QCB1HK-681Y	C CAPACITOR	IN	
	CN802	QGB1216K1-14S	CONNECTOR	TO MICON/CD			C3203	QCB1HK-104Y	TF CAPACITOR	OUT	
	CN803	QGA2001C1-02	2P PLUG ASSY	TO BACK LIGHT			C3204	QCB1HK-104Y	TF CAPACITOR	OUT	
	C1101	QFN31HJ-562Z	M CAPACITOR	MPX			C3301	QETN1CM-106Z	E CAPACITOR	BEEP	
	C1103	QFZ0160-123Z	M CAPACITOR	AHB			C3302	NCS21HJ-152X	C CAPACITOR		

■ Electrical parts list(Main board)

Block No. 01

△	Item	Parts number	Parts name	Remarks	Area
	C3303	QCBB1HK-104Y	TF CAPACITOR	HV	
	C3304	QTE1H06-475Z	E CAPACITOR		
	C3306	QTE1E06-476Z	E CAPACITOR	R.FILTOR	
	C3308	QETN1CM-336Z	E CAPACITOR	ON.TIME	
	C8001	NCB21HK-103X	C CAPACITOR		
	C8002	QER61AM-107Z	E CAPACITOR	100MF 20% 10V	
	C8003	NCB21HK-223X	C CAPACITOR		
	C8004	NCS21HJ-101X	C CAPACITOR		
	C8101	QER61AM-227Z	E.CAPACITOR	220MF 20% 10V	
	C8102	NCB21HK-103X	C CAPACITOR		
	C8201	QER61AM-227Z	E.CAPACITOR	220MF 20% 10V	
	C8202	NCB21HK-103X	C CAPACITOR		
	D 1	1SS133-T2	SI DIODE		
	D 2	1SS133-T2	SI DIODE		
	D 3	1SS133-T2	SI DIODE		
	D 4	1SS133-T2	SI DIODE		
	D1302	MTZJ5.1A-T2	ZENER DIODE	AHB	
	D1304	1SS133-T2	SI DIODE	HP.MUTE	
	D1305	1SS133-T2	SI DIODE	S.MUTE	
	D1801	DSK10C-T1	DIODE	M.DRIV	
△	D1901	D5SBA20-S1	SI DIODE	HV	
△	D1902	D3SBA20-S1	DIODE	LV	
	D1903	1SS133-T2	SI DIODE	SW10	
	D1904	MTZJ5.6C-T2	ZENER DIODE	SW10	
	D1905	MTZJ10A-T2	ZENER DIODE	SW10	
	D1906	MTZJ11A-T2	ZENER DIODE	L.FIL	
	D1907	1SS133-T2	SI DIODE	L.FIL	
	D1908	1SS133-T2	SI DIODE	CD6.5	
	D1909	MTZJ6.8B-T2	ZENER DIODE	CD6.5	
△	D1910	6A10E2	SI DIODE	LV	
	D1911	MTZJ6.8A-T2	ZENER DIODE	BL8	
△	D1912	MTZJ10A-T2	ZENER DIODE	BL8	
△	D1913	MTZJ6.8B-T2	ZENER DIODE	USSV	
	D1914	MTZJ3.9B-T2	ZENER DIODE	TU5	
	D1915	1SS133-T2	SI DIODE	TU5	
	D1916	1SS133-T2	SI DIODE	TU5	
	D1917	1SS133-T2	SI DIODE	RY	
	D8001	SPR-39MVWF	LED	POWER/STANDBY	
	D8002	1SS133-T2	SI DIODE		
	D8021	SELU1E50CM	LED		
	D8022	SELU1E50CM	LED		
	D8025	MTZJ10C-T2	ZENER DIODE		
	D8031	SELU1E56BM	LED		
	D8032	SELU1E56BM	LED		
	D8035	MA3100/M/-X	ZENER DIODE		
	EP131	QNZ0136-001Z	EARTH PLATE		
	EP191	QNZ0136-001Z	EARTH PLATE	J.ONLY	
	IC 1	TA2057N	IC		
	IC 2	LC72136N	IC		
	IC101	NJM4580DD	IC	AHB	
	IC102	BA15218F-XE	IC	HP	
	IC108	TA8409F-W	IC	M.DRIVE	
△	IC191	UPC78L05J-T	IC	USS	
△	IC301	LA4905	IC		
	IC801	GP1U271X	RM RECIVER		
	J 1	QNB0014-001	ANT TERMINAL	AM/FM ANT COAX	
△	J1901	QNC0052-001	AC INLET		
	J3001	QNB0092-001	SPK TERMINAL		
	J8301	QNS0162-001	JACK	HP.JACK	
	K1801	QQR0779-001Z	INDUCTOR		
	K8301	QQR0601-001Z	FERRITE BEADS		
	L 1	QQR0796-001	COIL BLOCK	MW RF/OSC	
	L 4	QQL231K-221Y	INDUCTOR		

△	Item	Parts number	Parts name	Remarks	Area
	LF111	QQR0590-001	FILTER	MPX.FILTER	
	LF121	QQR0590-001	FILTER	MPX.FILTER	
	L1801	QQL25CK-221Z	INDUCTOR	M.DRIVER	
	L8101	QQL231K-470Y	INDUCTOR		
	L8201	QQL231K-470Y	INDUCTOR		
	PP101	QZW0038-001	WIRE CLAMP		
	PP102	QZW0038-001	WIRE CLAMP		
	PP103	QZW0038-001	WIRE CLAMP		
	PP104	QZW0038-001	WIRE CLAMP		
	Q 1	2SC2668/O/-T	TRANSISTOR		
	Q 6	DTA114YKA-X	TRANSISTOR		
	Q 7	2SA1037AK/R/-X	TRANSISTOR		
	Q 8	2SA1037AK/R/-X	TRANSISTOR		
	Q1102	2SC2412K/R/-X	TRANSISTOR	HP.MUTE	
	Q1202	2SC2412K/R/-X	TRANSISTOR	HP.MUTE	
	Q1301	DTA123EKA-X	DIGITAL.TR	S.MUTE.D	
	Q1302	DTA123EKA-X	DIGITAL.TR	HP.MUTE.D	
	Q1801	2SC2412K/R/-X	TRANSISTOR	M.DRIV	
△	Q1901	2SA1359/OY/	TRANSISTOR	SW10	
	Q1902	2SC2412K/R/-X	TRANSISTOR	SW10	
	Q1903	2SC2412K/R/-X	TRANSISTOR	SW10	
	Q1904	2SA1037AK/R/-X	TRANSISTOR	SW10	
	Q1905	DTA144TKA-X	TRANSISTOR	SW10	
	Q1906	DTC144TKA-X	TRANSISTOR	SW10	
	Q1907	2SD2144S/VW/-T	TRANSISTOR	L.FIL	
△	Q1908	2SA1359/OY/	TRANSISTOR	CD6.5	
	Q1909	2SC2412K/R/-X	TRANSISTOR	CD6.5	
	Q1910	2SC2412K/R/-X	TRANSISTOR	CD6.5	
△	Q1912	2SA1175/FE/-T	TRANSISTOR	BL7	
	Q1913	2SC2412K/R/-X	TRANSISTOR	BL7	
	Q1914	2SA1037AK/R/-X	TRANSISTOR	TU5	
	Q1915	2SC2412K/R/-X	TRANSISTOR	TU5	
	Q3101	2SD2114K/VW/-X	CHIP TRANSISTOR	S.MUTE	
	Q3201	2SD2114K/VW/-X	CHIP TRANSISTOR	S.MUTE	
	Q3301	DTA143TKA-X	TRANSISTOR	S.MUTE BUFF	
	Q8001	DTC114TKA-X	TRANSISTOR		
	Q8002	DTC114EKA-X	TRANSISTOR		
	Q8003	DTA114EKA-X	DIGITAL.TRANSIS		
	Q8101	2SD2114K/VW/-X	CHIP TRANSISTOR		
	Q8201	2SD2114K/VW/-X	CHIP TRANSISTOR		
	R 1	NRSA02J-102X	MG RESISTOR		
	R 2	NRSA02J-820X	MG RESISTOR		
	R 12	NRSA02J-102X	MG RESISTOR		
	R 13	NRSA02J-104X	MG RESISTOR		
	R 20	NRSA02J-331X	MG RESISTOR		
	R 21	NRSA02J-224X	MG RESISTOR		
	R 22	NRSA02J-331X	MG RESISTOR		
	R 23	NRSA02J-270X	MG RESISTOR		
	R 24	NRSA02J-271X	MG RESISTOR		
	R 25	NRSA02J-473X	MG RESISTOR		
	R 27	NRSA02J-223X	MG RESISTOR		
	R 29	NRSA02J-473X	MG RESISTOR		
	R 30	NRSA02J-103X	MG RESISTOR		
	R 31	NRSA02J-103X	MG RESISTOR		
	R 32	NRSA02J-473X	MG RESISTOR		
	R 34	NRSA02J-333X	MG RESISTOR		
	R 35	NRSA02J-333X	MG RESISTOR		
	R 36	NRSA02J-103X	MG RESISTOR		
	R 37	NRSA02J-472X	MG RESISTOR		
	R 38	NRSA02J-392X	MG RESISTOR		
	R 39	NRSA02J-392X	MG RESISTOR		
	R 42	NRSA02J-102X	MG RESISTOR		
	R 43	NRSA02J-102X	MG RESISTOR		

■ Electrical parts list(Main board)

Block No. 01

△	Item	Parts number	Parts name	Remarks	Area	△	Item	Parts number	Parts name	Remarks	Area
	R 44	NRSA02J-102X	MG RESISTOR				R1908	NRSA02J-102X	MG RESISTOR	SW10	
	R 45	NRSA02J-102X	MG RESISTOR			△	R1909	NRSA02J-102X	MG RESISTOR	SW10	
	R 46	NRSA02J-473X	MG RESISTOR				R1910	NRSA02J-472X	MG RESISTOR	SW10	
	R 48	NRSA02J-102X	MG RESISTOR				R1911	NRSA02J-471X	MG RESISTOR	SW10	
	R 52	NRSA02J-472X	MG RESISTOR				R1912	NRSA02J-561X	MG RESISTOR	SW10	
	R 54	NRSA02J-472X	MG RESISTOR				R1913	NRSA02J-272X	MG RESISTOR	SW10	
	R 55	NRSA02J-182X	MG RESISTOR				R1914	NRSA02J-471X	MG RESISTOR	SW10	
	R 56	NRSA02J-332X	MG RESISTOR				R1915	NRSA02J-822X	MG RESISTOR	SW10	
	R 57	NRSA02J-102X	MG RESISTOR				R1916	NRSA02J-102X	MG RESISTOR	SW10	
	R 66	NRSA02J-222X	MG RESISTOR				R1917	NRSA02J-122X	MG RESISTOR	SW10	
	R 68	NRSA02J-223X	MG RESISTOR				R1918	NRSA02J-153X	MG RESISTOR	SW10	
	R 69	NRSA02J-222X	MG RESISTOR				R1919	NRSA02J-512X	MG RESISTOR	SW10	
△	RY191	QSK0116-001	RELAY	VH			R1920	NRSA02J-102X	MG RESISTOR	R.FIL	
	R1101	NRSA02J-122X	MG RESISTOR	TU		△	R1921	QRZ9006-4R7X	F RESISTOR	BL7	
	R1102	NRSA02J-562X	MG RESISTOR	TU		△	R1922	QRZ9006-4R7X	F RESISTOR	US5V	
	R1103	NRSA02J-682X	MG RESISTOR	AHB		△	R1923	QRZ9006-4R7X	F RESISTOR	TO.MICOM+B	
	R1104	NRSA02J-272X	MG RESISTOR	LPF			R1924	NRSA02J-103X	MG RESISTOR	CD6.5	
	R1106	NRSA02J-1R0X	MG RESISTOR	AHB			R1925	NRSA02J-561X	MG RESISTOR	BL7	
	R1108	NRSA02J-273X	MG RESISTOR	AHB			R1926	NRSA02J-123X	MG RESISTOR	BL7	
	R1110	NRSA02J-823X	MG RESISTOR	AHB			R1927	NRSA02J-103X	MG RESISTOR	BL7	
	R1112	NRSA02J-332X	MG RESISTOR	HP			R1928	NRSA02J-122X	MG RESISTOR	TU5	
	R1113	NRSA02J-563X	MG RESISTOR	HP			R1929	NRSA02J-273X	MG RESISTOR	TU5	
	R1114	NRSA02J-102X	MG RESISTOR	HP			R1930	NRSA02J-102X	MG RESISTOR	TU5	
	R1115	NRSA02J-561X	MG RESISTOR	HP			R1931	NRSA02J-390X	MG RESISTOR	TU5	
	R1116	NRSA02J-222X	MG RESISTOR	HP.MUTE		△	R1932	NRSA02J-331X	MG RESISTOR	CD6.5	
	R1118	NRSA02J-222X	MG RESISTOR				R1933	NRSA02J-681X	MG RESISTOR	CD6.5	
	R1201	NRSA02J-122X	MG RESISTOR	TU			R1934	NRSA02J-152X	MG RESISTOR	CD6.5	
	R1202	NRSA02J-562X	MG RESISTOR	TU			R1935	NRSA02J-272X	MG RESISTOR	CD6.5	
	R1203	NRSA02J-682X	MG RESISTOR	AHB			R1936	NRSA02J-151X	MG RESISTOR	CD6.5	
	R1204	NRSA02J-272X	MG RESISTOR	LPF			R1937	NRSA02J-562X	MG RESISTOR	CD REG	
	R1206	NRSA02J-1R0X	MG RESISTOR	AHB		△	R1938	NRSA02J-102X	MG RESISTOR	SW10	
	R1208	NRSA02J-273X	MG RESISTOR	AHB			R3101	QRE141J-682Y	C RESISTOR	IN	
	R1210	NRSA02J-823X	MG RESISTOR	AHB			R3102	QRE141J-332Y	C RESISTOR	IN	
	R1212	NRSA02J-332X	MG RESISTOR	HP			R3103	QRE141J-2R2Y	C RESISTOR	OUT	
	R1213	NRSA02J-563X	MG RESISTOR	HP			R3104	QRE141J-2R2Y	C RESISTOR	OUT	
	R1214	NRSA02J-102X	MG RESISTOR	HP			R3107	QRE141J-222Y	C RESISTOR	S.MUTE	
	R1215	NRSA02J-561X	MG RESISTOR	HP			R3201	QRE141J-682Y	C RESISTOR	IN	
	R1216	NRSA02J-222X	MG RESISTOR	HP.MUTE			R3202	QRE141J-332Y	C RESISTOR	IN	
	R1218	NRSA02J-222X	MG RESISTOR				R3203	QRE141J-2R2Y	C RESISTOR	OUT	
	R1302	NRSA02J-471X	MG RESISTOR	AHB			R3204	QRE141J-2R2Y	C RESISTOR	OUT	
	R1303	NRSA02J-102X	MG RESISTOR	AHB			R3207	QRE141J-222Y	C RESISTOR	S.MUTE	
	R1307	NRSA02J-912X	MG RESISTOR	HP			R3303	QRE141J-103Y	C RESISTOR	ST.BY	
	R1308	NRSA02J-103X	MG RESISTOR	HP			R8001	NRSA02J-102X	MG RESISTOR		
	R1309	NRSA02J-100X	MG RESISTOR	HP			R8002	NRSA02J-103X	MG RESISTOR		
	R1310	NRSA02J-102X	MG RESISTOR	HP.MUTE.D			R8003	NRSA02J-331X	MG RESISTOR		
	R1311	NRSA02J-102X	MG RESISTOR	S.MUTE.D			R8004	NRSA02J-331X	MG RESISTOR		
	R1312	NRSA02J-471X	MG RESISTOR				R8005	NRSA02J-561X	MG RESISTOR		
	R1313	NRSA02J-471X	MG RESISTOR				R8007	NRSA02J-432X	MG RESISTOR		
	R1801	NRSA02J-471X	MG RESISTOR	M.DRIVER			R8010	NRSA02J-104X	MG RESISTOR		
	R1802	NRSA02J-153X	MG RESISTOR	M.DRIVER			R8021	NRSA02J-101X	MG RESISTOR		
	R1803	NRSA02J-473X	MG RESISTOR	M.DRIVER			R8022	NRSA02J-101X	MG RESISTOR		
	R1804	NRSA02J-100X	MG RESISTOR	M.DRIVER			R8031	NRSA02J-431X	MG RESISTOR		
	R1805	NRSA02J-100X	MG RESISTOR	M.DRIVER			R8032	NRSA02J-431X	MG RESISTOR		
	R1806	NRSA02J-183X	MG RESISTOR	M.DRIVER			R8051	NRSA02J-101X	MG RESISTOR		
	R1807	NRSA02J-471X	MG RESISTOR				R8052	NRSA02J-272X	MG RESISTOR		
	R1808	NRSA02J-471X	MG RESISTOR				R8053	NRSA02J-332X	MG RESISTOR		
△	R1901	QRZ9037-335	COMP RESISTOR	J.ONLY			R8054	NRSA02J-562X	MG RESISTOR		
△	R1902	NRSA02J-1R0X	MG RESISTOR	SW10			R8055	NRSA02J-123X	MG RESISTOR		
△	R1903	NRSA02J-1R0X	MG RESISTOR	SW10			R8056	NRSA02J-393X	MG RESISTOR		
△	R1904	NRSA02J-1R0X	MG RESISTOR	SW10			R8057	NRSA02J-101X	MG RESISTOR		
	R1905	NRSA02J-151X	MG RESISTOR	SW10			R8058	NRSA02J-272X	MG RESISTOR		
	R1906	NRSA02J-102X	MG RESISTOR	SW10			R8059	NRSA02J-332X	MG RESISTOR		
△	R1907	NRSA02J-102X	MG RESISTOR	SW10			R8060	NRSA02J-562X	MG RESISTOR		

■ Electrical parts list(Main board)

Block No. 01

△	Item	Parts number	Parts name	Remarks	Area
	R8061	NRSA02J-123X	MG RESISTOR		
	R8062	NRSA02J-393X	MG RESISTOR		
	R8101	NRSA02J-220X	MG RESISTOR		
	R8102	NRSA02J-222X	MG RESISTOR		
	R8103	NRSA02J-272X	MG RESISTOR		
	R8201	NRSA02J-220X	MG RESISTOR		
	R8202	NRSA02J-222X	MG RESISTOR		
	R8203	NRSA02J-272X	MG RESISTOR		
	R8301	NRSA02J-222X	MG RESISTOR		
	R8302	NRSA02J-222X	MG RESISTOR		
	R8303	NRSA02J-223X	MG RESISTOR	VER SD1000	
	S8001	QSW0683-001Z	PUSH SWITCH	OP/CL	
	S8002	QSW0683-001Z	PUSH SWITCH	POWER	
	S8003	QSW0683-001Z	PUSH SWITCH	VOL+	
	S8004	QSW0683-001Z	PUSH SWITCH	VOL-	
	S8005	QSW0683-001Z	PUSH SWITCH	TIMER	
	S8006	QSW0683-001Z	PUSH SWITCH	CLOCK	
	S8007	QSW0683-001Z	PUSH SWITCH	UP	
	S8008	QSW0683-001Z	PUSH SWITCH	CD	
	S8009	QSW0683-001Z	PUSH SWITCH	STOP	
	S8010	QSW0683-001Z	PUSH SWITCH	DOWN	
	S8011	QSW0683-001Z	PUSH SWITCH	AHB	
	S8012	QSW0683-001Z	PUSH SWITCH	PRESET TU	
	S8013	QSW0683-001Z	PUSH SWITCH	TUNER	
	S8014	QSW0683-001Z	PUSH SWITCH	AUX	
	T 1	QQR0793-001	IFT		
	TU 1	QAU0097-001	FRONT END	FM TU	
	X 1	QAX0402-001	CRYSTAL		
△	Z1901	QNG0003-001Z	FUSE CLIP	FOR F1901	
△	Z1902	QNG0003-001Z	FUSE CLIP	FOR F1901	
△	Z1903	QNG0003-001Z	FUSE CLIP	FOR F1902	
△	Z1904	QNG0003-001Z	FUSE CLIP	FOR F1902	
△	Z1905	QNG0003-001Z	FUSE CLIP	FOR F1903	
△	Z1906	QNG0003-001Z	FUSE CLIP	FOR F1903	

■ Electrical parts list(Front board)

Block No. 02

△	Item	Parts number	Parts name	Remarks	Area	△	Item	Parts number	Parts name	Remarks	Area
	CN501	QGF1201F3-08	CONNECTOR	TO MAIN			C6031	QEKC1AM-227Z	E CAPACITOR	220MF 20% 10V	
	CN502	QGA2001C1-04	4P PLUG ASSY	TO TOPKEY			C6032	QEKC0JM-107Z	E CAPACITOR	100MF 20% 6.3V	
	CN603	QGF1008F1-16	16PIN CONNECTOR				C6033	QEKC1CM-106Z	E CAPACITOR	10MF 20% 16V	
	CN605	QGA2001C1-06	6P PLUG ASSY				C6034	QFN31HJ-103Z	M CAPACITOR	.010MF 5% 50V	
	CN701	QGF1201F3-09	CONNECTOR	TO AMP/TUNER			C6051	NDC31HJ-120X	C CAPACITOR		
	CN702	QGF1201F3-18	CONNECTOR	TO AMP/TUNER			C6052	NDC31HJ-150X	C CAPACITOR		
	CN703	QGA2001F1-11	11P CN RIG	TO FUNCTION			C6053	NCB31HK-223X	C CAPACITOR		
	CN704	QGB1216J1-14S	CONNECTOR	TO LCD			C6055	NCB31CK-473X	C CAPACITOR		
	CN705	QGA2001F1-03	CONNECTOR	TO CD DOOR DT1			C6058	NDC31HJ-6R0X	C CAPACITOR		
	CN706	QGA2001F1-02	2P CONNECTOR	TO DISC LED			C6061	NDC31HJ-471X	C CAPACITOR		
	CN708	QGA2001F1-02	2P CONNECTOR	TO FAN			C6062	NCB21CK-474X	C CAPACITOR		
	CN804	QGA2001F1-02	2P CONNECTOR				C6063	NCB31HK-223X	C CAPACITOR		
	C5101	QETN1HM-475Z	E CAPACITOR	LINE IN			C6064	NCB31HK-223X	C CAPACITOR		
	C5102	QETN1HM-475Z	E CAPACITOR	TU IN			C6065	NCB21CK-154X	C.CAPACITOR		
	C5103	QTE1H06-475Z	E CAPACITOR	CD IN			C6071	NFV41CJ-332X	M.CAPACITOR		
	C5104	QTE1V06-106Z	E CAPACITOR	FUC.OUT			C6072	NFV41CJ-332X	M.CAPACITOR		
	C5105	QETN1CM-106Z	E CAPACITOR	LINE OUT			C6073	QTE1A15-227Z	E CAPACITOR		
	C5107	QTE1C06-226Z	E CAPACITOR	VOL OUT			C6075	NCB31HK-102X	C CAPACITOR		
	C5108	QFN31HJ-332Z	M CAPACITOR	TRE.			C6076	NCB31HK-102X	C CAPACITOR		
	C5109	QFVJ1HJ-154Z	MF CAPACITOR	BASS			C6080	QEKC1AM-227Z	E CAPACITOR	220MF 20% 10V	
	C5110	QFVJ1HJ-154Z	MF CAPACITOR	BASS			C6081	QEKC1AM-227Z	E CAPACITOR	220MF 20% 10V	
	C5111	NDC31HJ-151X	C CAPACITOR	LINE IN			C6083	NCB31HK-223X	C CAPACITOR		
	C5112	NCB31HK-102X	C CAPACITOR	LINE OUT			C6089	NCB31HK-472X	C CAPACITOR		
	C5201	QETN1HM-475Z	E CAPACITOR	LINE IN			C6090	NCB31HK-682X	C CAPACITOR		
	C5202	QETN1HM-475Z	E CAPACITOR	TU IN			C6091	QENC1HM-105Z	NP E.CAPACITOR	1.0MF 20% 50V	
	C5203	QTE1H06-475Z	E CAPACITOR	CD IN			C6094	NCB31CK-104X	C CAPACITOR		
	C5204	QTE1V06-106Z	E CAPACITOR	FUC.OUT			C6096	NDC31HJ-391X	C CAPACITOR		
	C5205	QETN1CM-106Z	E CAPACITOR	LINE OUT			C6097	NDC31HJ-391X	C CAPACITOR		
	C5207	QTE1C06-226Z	E CAPACITOR	VOL OUT			C6098	NDC31HJ-391X	C CAPACITOR		
	C5208	QFN31HJ-332Z	M CAPACITOR	TRE.			C6099	NDC31HJ-391X	C CAPACITOR		
	C5209	QFVJ1HJ-154Z	MF CAPACITOR	BASS			C6154	NDC31HJ-101X	C.CAPACITOR		
	C5210	QFVJ1HJ-154Z	MF CAPACITOR	BASS			C6156	NDC31HJ-151X	C CAPACITOR		
	C5211	NDC31HJ-151X	C CAPACITOR	LINE IN			C6157	NDC31HJ-151X	C CAPACITOR		
	C5212	NCB31HK-102X	C CAPACITOR	LINE OUT			C6158	NDC31HJ-151X	C CAPACITOR		
	C5301	QETN1CM-107Z	E CAPACITOR	VCC			C6159	NCB31CK-104X	C CAPACITOR		
	C5302	QTE1V06-476Z	E CAPACITOR	1/2VCC			C6199	QCZ0205-155Z	ML C CAPACITOR	1.5MF	
	C5303	QETN1HM-105Z	E CAPACITOR	L/O MUTE.D			C6201	NDC31HJ-680X	C.CAPACITOR		
	C5304	NCB31HK-102X	C CAPACITOR	S.W.OUT			C6251	NCB31CK-104X	C CAPACITOR		
	C5307	NCB31HK-103X	C CAPACITOR				C6253	NCB21CK-334X	C CAPACITOR		
	C5308	NCB31HK-103X	C CAPACITOR				C7001	NDC31HJ-180X	C.CAPACITOR		
	C5309	NCB31HK-103X	C CAPACITOR				C7002	NDC31HJ-180X	C.CAPACITOR		
	C6001	QEKC0JM-107Z	E CAPACITOR	100MF 20% 6.3V			C7003	NDC31HJ-390X	C CAPACITOR		
	C6002	QEKC1CM-106Z	E CAPACITOR	10MF 20% 16V			C7004	NCS21HJ-360X	C CAPACITOR		
	C6005	NDC31HJ-331X	C CAPACITOR				C7005	NDC31HJ-220X	C CAPACITOR		
	C6006	NCB31HK-222X	C CAPACITOR				C7006	NCS21HJ-200X	C CAPACITOR		
	C6007	NCB31HK-222X	C CAPACITOR				C7007	NCB31HK-102X	C CAPACITOR		
	C6008	QEKC1HM-105Z	E.CAPACITOR	1.0MF 20% 50V			C7008	NCB31HK-102X	C CAPACITOR		
	C6009	NCB31CK-104X	C CAPACITOR				C7009	NCB31HK-103X	C CAPACITOR		
	C6010	NCB31CK-273X	C CAPACITOR				C7010	QEKC1AM-107Z	E.CAPACITOR	100MF 20% 10V	
	C6011	NCB31HK-222X	C CAPACITOR				C7011	NCB31CK-104X	C CAPACITOR		
	C6012	NCB31HK-103X	C CAPACITOR				C7012	QEZ0229-479Z	EDL.CAPACITOR	47000MF	
	C6014	NCB21CK-224X	C CAPACITOR				C7013	QEKC1CM-107Z	E.CAPACITOR	100MF 20% 16V	
	C6015	NCB31HK-223X	C CAPACITOR				C7014	QFN31HJ-104Z	M CAPACITOR	.10MF 5% 50V	
	C6016	NCB31HK-223X	C CAPACITOR				C7016	NDC31HJ-101X	C.CAPACITOR		
	C6017	NCB31HK-223X	C CAPACITOR				C7017	NDC31HJ-101X	C.CAPACITOR		
	C6018	NCB31HK-222X	C CAPACITOR				C7018	NCB31HK-103X	C CAPACITOR		
	C6019	NDC31HJ-471X	C CAPACITOR				C7019	QEKC1HM-225Z	E CAPACITOR	2.2MF 20% 50V	
	C6020	NDC31HJ-331X	C CAPACITOR				C7020	QEKC1HM-475Z	E.CAPACITOR	4.7MF 20% 50V	
	C6021	NCB31HK-152X	C CAPACITOR				C7022	NCB31HK-103X	C CAPACITOR		
	C6022	QEKC0JM-476Z	E.CAPACITOR	47MF 20% 6.3V			C7023	QEKC1CM-106Z	E CAPACITOR	10MF 20% 16V	
	C6023	NCB31CK-273X	C CAPACITOR				D6001	1SS355-X	DIODE		
	C6028	NCB31CK-473X	C CAPACITOR				D6031	MTZJ5.6C-T2	ZENER DIODE		
	C6029	QEKC0JM-107Z	E CAPACITOR	100MF 20% 6.3V			D6033	1SR35-400A-T5	DIODE		

■ Electrical parts list(Front board)

Block No. 02

△	Item	Parts number	Parts name	Remarks	Area
	D6061	1SS355-X	DIODE		
	D6062	1SS355-X	DIODE		
	D6063	1SS355-X	DIODE		
	D6500	MTZJ8.2B-T2	DIODE		
	D7001	1SS355-X	DIODE		
	D7002	1SS355-X	DIODE		
	D7003	1SS133-T2	SI DIODE		
	D7004	1SS133-T2	SI DIODE		
	D7005	1SS133-T2	SI DIODE		
	D7006	1SS355-X	DIODE		
	D7007	MTZJ5.1C-T2	ZENER DIODE		
	D7008	1SS133-T2	SI DIODE		
	D7009	MTZJ8.2B-T2	DIODE		
	D7010	1SS355-X	DIODE		
	IC501	BD3861FS-X	IC	FUNC/VOL	
	IC601	AN22000A	IC		
	IC602	LA6541-X	IC		
	IC603	MN662748RPMFA	IC		
	IC701	UPD780024AGKB19	IC		
	IC702	KIA78S06P-T	IC		
	J5301	QNS0047-001	JACK	LINE IN	
	J5302	QNS0047-001	JACK	LINE OUT	
	J5303	QNN0198-001	1PIN PINJ BLACK	S.W. OUT	
	J6001	GP1FA550TZ	OPT TRANSMITTER		
	K5302	QQR0601-001Z	FERRITE BEADS	DG	
	K6051	QQR0601-001Z	FERRITE BEADS		
	K7001	QQR0601-001Z	FERRITE BEADS		
	L7001	QQL244K-100Z	INDUCTOR		
	L7002	QQL244K-100Z	INDUCTOR		
	PP501	QZW0038-001	WIRE CLAMP		
	Q5101	2SD2114K/VW/-X	CHIP TRANSISTOR	L/O MUTE	
	Q5201	2SD2114K/VW/-X	CHIP TRANSISTOR	L/O MUTE	
	Q5301	DTA114EKA-X	DIGITAL.TRANSIS	L/O MUTE.D	
	Q5302	2SD2114K/VW/-X	CHIP TRANSISTOR	S.W.MUTE	
	Q6001	2SA1037AK/R/-X	TRANSISTOR		
	Q6031	2SC2060/QR/-T	TRANSISTOR		
	Q6500	DTD123TK-X	CHIP D.TR		
	Q7001	2SC2814/4-5/-X	TRANSISTOR		
	Q7002	2SC2814/4-5/-X	TRANSISTOR		
	Q7003	DTA114TKA-X	DIGITAL.TR		
	Q7004	2SC2412K/R/-X	TRANSISTOR		
	Q7006	2SC2412K/R/-X	TRANSISTOR		
	Q7007	DTC114EKA-X	TRANSISTOR		
	Q7008	DTA114EKA-X	DIGITAL.TRANSIS		
	Q7009	2SA1037AK/R/-X	TRANSISTOR		
	Q7010	DTC144EKA-X	TRANSISTOR		
	Q7011	2SA1037AK/R/-X	TRANSISTOR		
	R5101	NRSA63J-223X	MG RESISTOR	LINE IN	
	R5102	NRSA63J-683X	MG RESISTOR	LINE IN	
	R5103	NRSA63J-302X	MG RESISTOR	CD IN	
	R5104	NRSA63J-1R0X	MG RESISTOR	FUC.OUT	
	R5105	NRSA63J-473X	MG RESISTOR	LINE OUT	
	R5106	NRSA63J-392X	MG RESISTOR	LINE OUT	
	R5107	NRSA63J-102X	MG RESISTOR	LINE OUT	
	R5108	NRSA63J-222X	MG RESISTOR	L/O MUTE	
	R5109	NRSA63J-103X	MG RESISTOR	S.W.OUT	
	R5110	NRSA63J-332X	MG RESISTOR	BASS	
	R5201	NRSA63J-223X	MG RESISTOR	LINE IN	
	R5202	NRSA63J-683X	MG RESISTOR	LINE IN	
	R5203	NRSA63J-302X	MG RESISTOR	CD IN	
	R5204	NRSA63J-1R0X	MG RESISTOR	FUC.OUT	
	R5205	NRSA63J-473X	MG RESISTOR	LINE OUT	
	R5206	NRSA63J-392X	MG RESISTOR	LINE OUT	

△	Item	Parts number	Parts name	Remarks	Area
	R5207	NRSA63J-102X	MG RESISTOR	LINE OUT	
	R5208	NRSA63J-222X	MG RESISTOR	L/O MUTE	
	R5209	NRSA63J-103X	MG RESISTOR	S.W.OUT	
	R5210	NRSA63J-332X	MG RESISTOR	BASS	
	R5301	NRSA63J-223X	MG RESISTOR	L/O MUTE D	
	R5302	NRSA63J-222X	MG RESISTOR	S.W.MUTE	
	R5303	NRSA63J-473X	MG RESISTOR	S.W.OUT	
	R5304	NRSA63J-102X	MG RESISTOR	S.W.OUT	
	R5305	NRSA63J-1R5X	MG RESISTOR	VCC	
	R6001	NRSA63J-682X	MG RESISTOR		
	R6005	NRSA63J-184X	MG RESISTOR		
	R6006	NRSA63J-274X	MG RESISTOR		
	R6007	NRSA63J-393X	MG RESISTOR		
	R6008	NRSA63J-394X	MG RESISTOR		
	R6009	NRSA63J-473X	MG RESISTOR		
	R6010	NRSA63J-154X	MG RESISTOR		
	R6012	NRSA63J-822X	MG RESISTOR		
	R6013	NRSA63J-121X	MG RESISTOR		
	R6014	NRSA63J-100X	MG RESISTOR		
	R6015	NRSA63J-120X	MG RESISTOR		
	R6016	NRSA63J-910X	MG RESISTOR		
	R6021	NRSA63J-330X	MG RESISTOR		
	R6024	NRSA63J-103X	MG RESISTOR		
	R6025	NRSA63J-103X	MG RESISTOR		
	R6026	NRSA63J-222X	MG RESISTOR		
	R6028	NRSA63J-222X	MG RESISTOR		
	R6031	NRSA63J-102X	MG RESISTOR		
	R6032	NRSA63J-102X	MG RESISTOR		
	R6033	NRSA63J-102X	MG RESISTOR		
	R6040	NRSA63J-102X	MG RESISTOR		
	R6041	NRSA63J-184X	MG RESISTOR		
	R6042	NRSA63J-472X	MG RESISTOR		
	R6043	NRSA63J-912X	MG RESISTOR		
	R6044	NRSA63J-393X	MG RESISTOR		
	R6045	NRSA63J-433X	MG RESISTOR		
	R6046	NRSA63J-392X	MG RESISTOR		
	R6047	NRSA63J-472X	MG RESISTOR		
	R6048	NRSA63J-272X	MG RESISTOR		
	R6050	NRSA63J-332X	MG RESISTOR		
	R6051	NRSA63J-102X	MG RESISTOR		
	R6052	NRSA63J-102X	MG RESISTOR		
	R6053	NRSA63J-101X	MG RESISTOR		
	R6054	NRSA63J-102X	MG RESISTOR		
	R6056	NRSA63J-0R0X	MG RESISTOR		
	R6057	NRSA63J-0R0X	MG RESISTOR		
	R6058	NRSA63J-0R0X	MG RESISTOR		
	R6059	NRSA63J-471X	MG RESISTOR		
	R6060	NRSA63J-471X	MG RESISTOR		
	R6061	NRSA63J-104X	MG RESISTOR		
	R6063	NRSA63J-124X	MG RESISTOR		
	R6064	NRSA63J-331X	MG RESISTOR		
	R6066	NRSA63J-470X	MG RESISTOR		
	R6067	NRSA63J-220X	MG RESISTOR		
	R6068	NRSA63J-220X	MG RESISTOR		
	R6069	NRSA63J-155X	MG RESISTOR		
	R6071	QRE141J-102Y	C RESISTOR	1.0K 5% 1/4W	
	R6072	QRE141J-102Y	C RESISTOR	1.0K 5% 1/4W	
	R6201	NRSA63J-472X	MG RESISTOR		
	R6202	NRSA63J-222X	MG RESISTOR		
	R6203	NRSA63J-0R0X	MG RESISTOR		
	R6204	NRSA63J-623X	MG RESISTOR		
	R6205	NRSA63J-393X	MG RESISTOR		
	R6251	NRSA63J-102X	MG RESISTOR		

■ Electrical parts list(Front board)

Block No. 02

△	Item	Parts number	Parts name	Remarks	Area
	R6252	NRSA63J-105X	MG RESISTOR		
	R6254	NRSA63J-104X	MG RESISTOR		
	R6256	NRSA63J-564X	MG RESISTOR		
	R6257	NRSA63J-0R0X	MG RESISTOR		
	R6258	NRSA63J-272X	MG RESISTOR		
	R6500	NRSA63J-272X	MG RESISTOR		
	R7001	NRSA63J-822X	MG RESISTOR		
	R7002	NRSA63J-822X	MG RESISTOR		
	R7003	NRSA63J-103X	MG RESISTOR		
	R7004	NRSA63J-103X	MG RESISTOR		
	R7005	NRSA63J-331X	MG RESISTOR		
	R7006	NRSA63J-222X	MG RESISTOR		
	R7007	NRSA63J-222X	MG RESISTOR		
	R7008	NRSA63J-222X	MG RESISTOR		
	R7009	NRSA63J-222X	MG RESISTOR		
	R7010	NRSA63J-222X	MG RESISTOR		
	R7011	NRSA63J-222X	MG RESISTOR		
	R7012	NRSA63J-222X	MG RESISTOR		
	R7013	NRSA63J-102X	MG RESISTOR		
	R7014	NRSA63J-103X	MG RESISTOR		
	R7016	NRSA63J-222X	MG RESISTOR		
	R7017	NRSA63J-222X	MG RESISTOR		
	R7018	NRSA63J-0R0X	MG RESISTOR		
	R7019	NRSA63J-102X	MG RESISTOR		
	R7020	NRSA63J-222X	MG RESISTOR		
	R7021	NRSA63J-102X	MG RESISTOR		
	R7022	NRSA63J-102X	MG RESISTOR		
	R7023	NRSA63J-101X	MG RESISTOR		
	R7024	NRSA63J-102X	MG RESISTOR		
	R7025	NRSA63J-102X	MG RESISTOR		
	R7026	NRSA63J-102X	MG RESISTOR		
	R7027	NRSA63J-102X	MG RESISTOR		
	R7028	NRSA63J-222X	MG RESISTOR		
	R7029	NRSA63J-103X	MG RESISTOR		
	R7030	NRSA63J-222X	MG RESISTOR		
	R7031	NRSA63J-103X	MG RESISTOR		
	R7032	NRSA63J-222X	MG RESISTOR		
	R7033	NRSA63J-103X	MG RESISTOR		
	R7034	NRSA63J-222X	MG RESISTOR		
	R7035	NRSA63J-103X	MG RESISTOR		
	R7036	NRSA63J-222X	MG RESISTOR		
	R7037	NRSA63J-222X	MG RESISTOR		
	R7038	NRSA63J-473X	MG RESISTOR	VERSION	
	R7039	NRSA63J-333X	MG RESISTOR	VERSION	
	R7040	NRSA63J-102X	MG RESISTOR		
	R7041	NRSA63J-103X	MG RESISTOR		
	R7042	NRSA63J-103X	MG RESISTOR		
	R7043	NRSA63J-103X	MG RESISTOR		
	R7044	NRSA63J-103X	MG RESISTOR		
	R7045	NRSA63J-222X	MG RESISTOR		
	R7046	NRSA63J-222X	MG RESISTOR		
	R7048	NRSA63J-102X	MG RESISTOR		
	R7049	NRSA63J-102X	MG RESISTOR		
	R7050	NRSA63J-104X	MG RESISTOR		
	R7051	NRSA63J-473X	MG RESISTOR		
	R7052	NRSA63J-333X	MG RESISTOR		
	R7053	NRSA63J-222X	MG RESISTOR		
	R7054	NRSA63J-222X	MG RESISTOR		
	R7055	NRSA63J-222X	MG RESISTOR		
	R7056	NRSA63J-103X	MG RESISTOR		
	R7057	NRSA63J-103X	MG RESISTOR		
	R7058	NRSA63J-103X	MG RESISTOR		
	R7059	NRSA63J-103X	MG RESISTOR		

△	Item	Parts number	Parts name	Remarks	Area
	R7060	NRSA63J-103X	MG RESISTOR		
	R7061	NRSA63J-103X	MG RESISTOR		
	R7062	NRSA63J-222X	MG RESISTOR		
	R7063	NRSA63J-222X	MG RESISTOR		
	R7064	NRSA63J-471X	MG RESISTOR		
	R7065	NRSA63J-222X	MG RESISTOR		
	R7066	NRSA63J-222X	MG RESISTOR		
	R7067	NRSA63J-222X	MG RESISTOR		
	R7068	NRSA63J-222X	MG RESISTOR		
	R7069	NRSA63J-222X	MG RESISTOR		
	R7070	NRSA63J-102X	MG RESISTOR		
	R7071	NRSA63J-102X	MG RESISTOR		
	R7072	NRSA63J-222X	MG RESISTOR		
	R7073	NRSA63J-102X	MG RESISTOR		
	R7074	NRSA63J-103X	MG RESISTOR		
	R7075	NRSA63J-103X	MG RESISTOR		
	R7076	NRSA63J-103X	MG RESISTOR		
	R7077	NRSA63J-103X	MG RESISTOR		
	R7078	NRSA63J-103X	MG RESISTOR		
	R7079	NRSA63J-512X	MG RESISTOR		
	SP603	VYH7653-001	IC HOLDER	IC603 IC-HOLDER	
	SP701	VYH7653-002	IC HOLDER		
	S8021	QSW0851-001	DETECT SWITCH		
	S8022	QSW0851-001	DETECT SWITCH		
	TH701	QAD0015-103Z	THERMISTOR		
	X6051	QAX0413-001Z	CRYSTAL		
	X7001	QAX0401-001	CRYSTAL		
	X7002	QAX0410-001	CERA LOCK		

■ Electrical parts list(Sub board)

Block No. 03

△	Item	Parts number	Parts name	Remarks	Area
	CN606	QGF1006F1-16W	CONNECTOR		

■ Electrical parts list(Sub woofer board)

Block No. 04

△	Item	Parts number	Parts name	Remarks	Area	△	Item	Parts number	Parts name	Remarks	Area
	CN211	QGB2016J1-15	CONNECTOR	TO WOOF.PWB			C2912	QE20223-478	E CAPACITER	4700MF	
	CN221	QGB2016K1-15	B TO B CONNE	TO CONT.PWB			C2914	QFV72AJ-104Z	MF CAPACITOR	.10MF 5% 100V	
	CN251	QGA2501C1-02	2P CONNECTOR				C2915	QFV72AJ-104Z	MF CAPACITOR	.10MF 5% 100V	
	CN281	QGA3901C1-02	CONNECTOR	FOR SPK			C2917	QFV72AJ-104Z	MF CAPACITOR	.10MF 5% 100V	
	CN291	QGA3901C1-05	5P CONNECTOR	FOR SEC.POWER		△	C2921	QETM1EM-688	E CAPACITOR	6800MF 20% 25V	
△	CN299	QGA7901C1-02	CONNECTOR	PRI MORE		△	C2922	QETM1EM-688	E CAPACITOR	6800MF 20% 25V	
	C2101	QTE1H28-106Z	E CAPACITOR				C2924	QFVJ1HJ-104Z	MF CAPACITOR	.10MF 5% 50V	
	C2102	QTE1H28-106Z	E CAPACITOR				C2925	QFVJ1HJ-104Z	MF CAPACITOR	.10MF 5% 50V	
	C2103	QDXB1CM-562Y	C.CAPACITOR				C2927	QFVJ1HJ-104Z	MF CAPACITOR	.10MF 5% 50V	
	C2104	QFN31HJ-823Z	M CAPACITOR	.082MF 5% 50V			C2928	QETN1HM-225Z	E CAPACITOR	2.2MF 20% 50V	
	C2105	QFN31HJ-823Z	M CAPACITOR	.082MF 5% 50V			C8117	QCB1HK-151Y	C CAPACITOR	150PF 10% 50V	
	C2106	QFVJ1HJ-274Z	MF CAPACITOR	.27MF 5% 50V			C8118	QCB1HK-151Y	C CAPACITOR	150PF 10% 50V	
	C2107	QFVJ1HJ-473Z	MF CAPACITOR	.047MF 5% 50V			D2201	MTZJ8.2C-T2	ZENER DIODE		
	C2108	QFVJ1HJ-333Z	MF CAPACITOR	.033MF 5% 50V			D2202	MTZJ8.2C-T2	ZENER DIODE		
	C2109	QFVJ1HJ-473Z	MF CAPACITOR	.047MF 5% 50V			D2205	MTZJ33C-T2	Z DIODE		
	C2110	QFN31HJ-332Z	M CAPACITOR	3300PF 5% 50V			D2206	MTZJ33C-T2	Z DIODE		
	C2111	QTE1H28-226Z	E CAPACITOR				D2207	1SS133-T2	SI DIODE		
	C2112	QCB1HK-103Y	C CAPACITOR	.010MF 10% 50V			D2208	1SS133-T2	SI DIODE		
	C2113	QCB1HK-103Y	C CAPACITOR	.010MF 10% 50V			D2209	1SS133-T2	SI DIODE		
	C2114	QDGB1HK-102Y	C CAPACITOR			△	D2211	1N5402M-20	DIODE		
	C2115	QDGB1HK-102Y	C CAPACITOR			△	D2212	1N5402M-20	DIODE		
	C2116	QETN1HM-105Z	E CAPACITOR	1.0MF 20% 50V			D2501	1SS133-T2	SI DIODE		
	C2121	QTE1H28-226Z	E CAPACITOR				D2502	1SS133-T2	SI DIODE		
	C2122	QCB1HK-151Y	C CAPACITOR	150PF 10% 50V			D2503	1SS133-T2	SI DIODE		
	C2201	QCB1HK-101Y	C CAPACITOR	100PF 10% 50V			D2504	1SS133-T2	SI DIODE		
	C2202	QTE1H28-107Z	E CAPACITOR				D2505	1SS133-T2	SI DIODE		
	C2203	QTE1H28-107Z	E CAPACITOR				D2506	1SS133-T2	SI DIODE		
	C2204	QTE1V06-106Z	E CAPACITOR				D2507	1SS133-T2	SI DIODE		
	C2205	QCB1HK-471Y	C CAPACITOR	470PF 10% 50V			D2508	1SS133-T2	SI DIODE		
	C2206	QENC1HM-225Z	NP E.CAPACITOR	2.2MF 20% 50V			D2509	1SS133-T2	SI DIODE		
	C2207	QCB1HK-221Y	C CAPACITOR	220PF 10% 50V			D2510	1SS133-T2	SI DIODE		
	C2208	QFVJ1HJ-224Z	MF CAPACITOR	.22MF 5% 50V			D2511	MTZJ6.8B-T2	ZENER DIODE		
	C2209	QFVJ1HJ-224Z	MF CAPACITOR	.22MF 5% 50V			D2701	MTZJ10B-T2	ZENER DIODE		
	C2210	QETN1EM-106Z	E CAPACITOR	10MF 20% 25V			D2702	MTZJ10B-T2	ZENER DIODE		
	C2211	QETN1EM-476Z	E CAPACITOR	47MF 20% 25V			D2801	1SS133-T2	SI DIODE		
	C2212	QETN1CM-107Z	E CAPACITOR	100MF 20% 16V		△	D2911	D5SBA20-S1	SI DIODE	+/-35V	
	C2213	QDCB1HK-8R2Y	C CAPACITOR			△	D2921	D5SBA20-S1	SI DIODE	+/-15V	
	C2214	QFVJ1HJ-104Z	MF CAPACITOR	.10MF 5% 50V		△	D2924	DSK10C-T1	DIODE		
	C2215	QTE1E28-107Z	E CAPACITOR				IC211	NJM4580DD	IC		
	C2217	QTE1V06-106Z	E CAPACITOR				IC212	NJM4580DD	IC		
	C2218	QTE1V06-106Z	E CAPACITOR				IC213	NJM4580DD	IC		
	C2219	QETN1HM-105Z	E CAPACITOR	1.0MF 20% 50V		△	IC221	STK411-290E	IC	WOOFER AMP	
	C2231	QCB1HK-151Y	C CAPACITOR	150PF 10% 50V			IC251	TC74HCU04AP	IC		
	C2232	QCB1HK-101Y	C CAPACITOR	100PF 10% 50V			IC261	UPC78L05J-T	IC		
	C2233	QCB1HK-151Y	C CAPACITOR	150PF 10% 50V			J2101	QNN0090-001	PIN JACK		
	C2234	QCB1HK-151Y	C CAPACITOR	150PF 10% 50V			J2102	QNB0095-002	SPK TERMINAL		
	C2252	QFVJ1HJ-104Z	MF CAPACITOR	.10MF 5% 50V			L2201	QQLZ005-R45	INDUCTOR		
	C2253	QDYB1CM-103Y	C.CAPACITOR				PP291	QNZ0079-001Z	TAB		
	C2501	QETN1EM-226Z	E CAPACITOR	22MF 20% 25V			PP292	QNZ0079-001Z	TAB		
	C2502	QETN1AM-107Z	E CAPACITOR	100MF 20% 10V			Q2101	KTC3199/GL-T	TRANSISTOR		
	C2503	QETN1EM-107Z	E CAPACITOR	100MF 20% 25V			Q2102	KTC3199/GL-T	TRANSISTOR		
	C2504	QETN1HM-106Z	E CAPACITOR	10MF 20% 50V		△	Q2201	KTC3199/GL-T	TRANSISTOR		
	C2505	QCB1HK-101Y	C CAPACITOR	100PF 10% 50V			Q2202	KTA1267/YG-T	TRANSISTOR		
	C2506	QETN1HM-106Z	E CAPACITOR	10MF 20% 50V			Q2203	KTC3199/GL-T	TRANSISTOR		
	C2507	QDYB1CM-103Y	C.CAPACITOR				Q2204	KTA1267/YG-T	TRANSISTOR		
	C2508	QETN0JM-477Z	E CAPACITOR	470MF 20% 6.3V			Q2501	KTC3199/GL-T	TRANSISTOR		
	C2701	QTE1E28-476Z	E CAPACITOR				Q2502	KTC3199/GL-T	TRANSISTOR		
	C2702	QTE1E28-476Z	E CAPACITOR			△	Q2701	2SD400MP/EF-T	TRANSISTOR		
	C2703	QTE1E28-107Z	E CAPACITOR			△	Q2702	2SB544MP(E,F)	TRANSISTOR		
	C2704	QTE1E28-107Z	E CAPACITOR				Q2801	2SC945	TRANSISTOR		
	C2801	QETN1HM-105Z	E CAPACITOR	1.0MF 20% 50V		△	RY281	QSK0109-001	RELAY		
△	C2901	QCZ9104-472	C.CAPACITOR	4700PF			R2101	QRE141J-474Y	C RESISTOR	470K 5% 1/4W	
△	C2911	QE20223-478	E CAPACITER	4700MF			R2102	QRE141J-474Y	C RESISTOR	470K 5% 1/4W	

■ Electrical parts list(Sub woofer board)

Block No. 04

△	Item	Parts number	Parts name	Remarks	Area
	R2103	QRE141J-563Y	C RESISTOR	56K 5% 1/4W	
	R2104	QRE141J-563Y	C RESISTOR	56K 5% 1/4W	
	R2105	QRE141J-683Y	C RESISTOR	68K 5% 1/4W	
	R2106	QRE141J-102Y	C RESISTOR	1.0K 5% 1/4W	
	R2107	QRE141J-222Y	C RESISTOR	2.2K 5% 1/4W	
	R2108	QRE141J-273Y	C RESISTOR	27K 5% 1/4W	
	R2109	QRE141J-332Y	C RESISTOR	3.3K 5% 1/4W	
	R2110	QRE141J-334Y	C RESISTOR	330K 5% 1/4W	
	R2111	QRE141J-562Y	C RESISTOR	5.6K 5% 1/4W	
	R2112	QRE141J-562Y	C RESISTOR	5.6K 5% 1/4W	
	R2113	QRE141J-153Y	C RESISTOR	15K 5% 1/4W	
	R2114	QRE141J-123Y	C RESISTOR	12K 5% 1/4W	
	R2115	QRE141J-103Y	C RESISTOR	10K 5% 1/4W	
	R2116	QRE141J-393Y	C RESISTOR	39K 5% 1/4W	
	R2117	QRE141J-332Y	C RESISTOR	3.3K 5% 1/4W	
	R2118	QRE141J-154Y	C RESISTOR	150K 5% 1/4W	
	R2119	QRE141J-154Y	C RESISTOR	150K 5% 1/4W	
	R2120	QRE141J-154Y	C RESISTOR	150K 5% 1/4W	
	R2121	QRE141J-154Y	C RESISTOR	150K 5% 1/4W	
	R2122	QRE141J-562Y	C RESISTOR	5.6K 5% 1/4W	
	R2123	QRE141J-562Y	C RESISTOR	5.6K 5% 1/4W	
	R2124	QRE141J-822Y	C RESISTOR	8.2K 5% 1/4W	
	R2125	QRE141J-154Y	C RESISTOR	150K 5% 1/4W	
	R2126	QRE141J-224Y	C RESISTOR	220K 5% 1/4W	
	R2127	QRE141J-102Y	C RESISTOR	1.0K 5% 1/4W	
	R2128	QRE141J-102Y	C RESISTOR	1.0K 5% 1/4W	
△	R2201	QRZ9005-100X	F.RESISTOR	10 1/0W	
△	R2202	QRZ9015-101X	F.RESISTOR	100 1/0W	
△	R2203	QRZ9015-101X	F.RESISTOR	100 1/0W	
	R2204	QRE141J-272Y	C RESISTOR	2.7K 5% 1/4W	
	R2205	QRE141J-272Y	C RESISTOR	2.7K 5% 1/4W	
	R2206	QRE141J-563Y	C RESISTOR	56K 5% 1/4W	
	R2207	QRE141J-102Y	C RESISTOR	1.0K 5% 1/4W	
	R2208	QRE141J-822Y	C RESISTOR	8.2K 5% 1/4W	
	R2209	QRE141J-104Y	C RESISTOR	100K 5% 1/4W	
△	R2210	QRT01DJ-R33X	UNF.MF.RESISTOR	5% 1/1W	
△	R2211	QRT01DJ-R33X	UNF.MF.RESISTOR	5% 1/1W	
	R2212	QRE141J-122Y	C RESISTOR	1.2K 5% 1/4W	
△	R2213	QRJ146J-100X	UNF.C RESISTOR	10 5% 1/4W	
	R2214	QRE141J-103Y	C RESISTOR	10K 5% 1/4W	
	R2215	QRE141J-223Y	C RESISTOR	22K 5% 1/4W	
△	R2216	QRZ9005-100X	F.RESISTOR	10 1/0W	
	R2217	QRE141J-104Y	C RESISTOR	100K 5% 1/4W	
	R2218	QRE141J-103Y	C RESISTOR	10K 5% 1/4W	
	R2219	QRE141J-104Y	C RESISTOR	100K 5% 1/4W	
	R2220	QRE141J-103Y	C RESISTOR	10K 5% 1/4W	
	R2221	QRE141J-104Y	C RESISTOR	100K 5% 1/4W	
	R2222	QRE141J-823Y	C RESISTOR	82K 5% 1/4W	
	R2223	QRE141J-563Y	C RESISTOR	56K 5% 1/4W	
	R2224	QRE141J-563Y	C RESISTOR	56K 5% 1/4W	
	R2225	QRE141J-333Y	C RESISTOR	33K 5% 1/4W	
	R2226	QRE141J-561Y	C RESISTOR	560 5% 1/4W	
	R2227	QRE141J-563Y	C RESISTOR	56K 5% 1/4W	
	R2228	QRE141J-102Y	C RESISTOR	1.0K 5% 1/4W	
△	R2229	QRT01DJ-R33X	UNF.MF.RESISTOR	5% 1/1W	
	R2233	QRE141J-472Y	C RESISTOR	4.7K 5% 1/4W	
	R2252	QRE141J-100Y	C RESISTOR	10 5% 1/4W	
	R2501	QRE141J-102Y	C RESISTOR	1.0K 5% 1/4W	
	R2502	QRE141J-123Y	C RESISTOR	12K 5% 1/4W	
	R2503	QRE141J-104Y	C RESISTOR	100K 5% 1/4W	
	R2504	QRE141J-102Y	C RESISTOR	1.0K 5% 1/4W	
	R2505	QRE141J-104Y	C RESISTOR	100K 5% 1/4W	
	R2506	QRE141J-105Y	C RESISTOR	1.0M 5% 1/4W	

△	Item	Parts number	Parts name	Remarks	Area
	R2507	QRE141J-222Y	C RESISTOR	2.2K 5% 1/4W	
	R2512	QRE141J-472Y	C RESISTOR	4.7K 5% 1/4W	
	R2514	QRE141J-105Y	C RESISTOR	1.0M 5% 1/4W	
	R2515	QRE141J-472Y	C RESISTOR	4.7K 5% 1/4W	
	R2516	QRE141J-473Y	C RESISTOR	47K 5% 1/4W	
	R2517	QRE141J-564Y	C RESISTOR	560K 5% 1/4W	
	R2518	QRE141J-220Y	C RESISTOR	22 5% 1/4W	
	R2519	QRE141J-514Y	C RESISTOR	510K 5% 1/4W	
	R2520	QRE141J-472Y	C RESISTOR	4.7K 5% 1/4W	
	R2521	QRE141J-102Y	C RESISTOR	1.0K 5% 1/4W	
	R2522	QRE141J-181Y	C RESISTOR	180 5% 1/4W	
	R2523	QRE141J-220Y	C RESISTOR	22 5% 1/4W	
△	R2701	QRZ9005-100X	F.RESISTOR	10 1/0W	
△	R2702	QRZ9005-100X	F.RESISTOR	10 1/0W	
	R2703	QRE141J-152Y	C RESISTOR	1.5K 5% 1/4W	
	R2704	QRE141J-152Y	C RESISTOR	1.5K 5% 1/4W	
△	R2705	QRZ9005-100X	F.RESISTOR	10 1/0W	
△	R2801	QRJ146J-182X	UNF C.RESISTOR	1.8K 5% 1/4W	
△	R2802	QRJ146J-182X	UNF C.RESISTOR	1.8K 5% 1/4W	
△	R2803	QRJ146J-182X	UNF C.RESISTOR	1.8K 5% 1/4W	
	R2811	QRE141J-622Y	C RESISTOR	6.2K 5% 1/4W	
	R2812	QRE141J-472Y	C RESISTOR	4.7K 5% 1/4W	
	R2921	QRE141J-333Y	C RESISTOR	33K 5% 1/4W	
△	R2922	QRZ9006-4R7X	F RESISTOR	4.7 1/0W	
	S2101	QSW0834-001	PUSH SW	PHASE CHANGE	
△	S2901	QSW0632-001	PUSH SWITCH		
	VR211	QVQ0021-B14	V.RESISTOR		
	WC281	QZW0038-001	WIRE CLAMP		
	WR 1	QUB220-07HPDM	SIN TWIST WIRE	ANT GND - BOTTO	
	WR501	QUB220-15HPDM	SIN TWIST WIRE	FUNCTION - BOTT	
	W1801	QJK021-021502	SIN CR C-B WIRE	MAIN - MICOM	
	W3001	QJK002-061201	SIN CR C-B WIRE	POWER - MAIN	
	W3002	QJK019-040704	SIN CR C-B WIRE	SPK - POWER	
△	W3901	QJK019-072002	SIN CR C-B WIRE	POWER - MAIN	
	W5001	QJK018-110501	SIN CR C-B WIRE	FUNCTION - MICO	
	W8001	QJK018-020502	SIN CR C-B WIRE	LCD BACKLIGHT -	
	W8002	QJK018-040504	SIN CR C-B WIRE	TOPKEY - FUNCTI	
	W8003	QJK018-021202	SIN CR C-B WIRE	TOPKEY - DOOR D	
	W8004	QJK018-030503	SIN CR C-B WIRE	DOOR DT1 - MICO	
	W8005	QJK018-020502	SIN CR C-B WIRE	DISC LED - MICO	
△	Z 292	QNG0003-001Z	FUSE CLIP		
△	Z 293	QNG0003-001Z	FUSE CLIP		
△	Z 294	QNG0003-001Z	FUSE CLIP		
△	Z 295	QNG0003-001Z	FUSE CLIP		
△	Z 297	QNG0003-001Z	FUSE CLIP		
△	Z 298	QNG0003-001Z	FUSE CLIP		

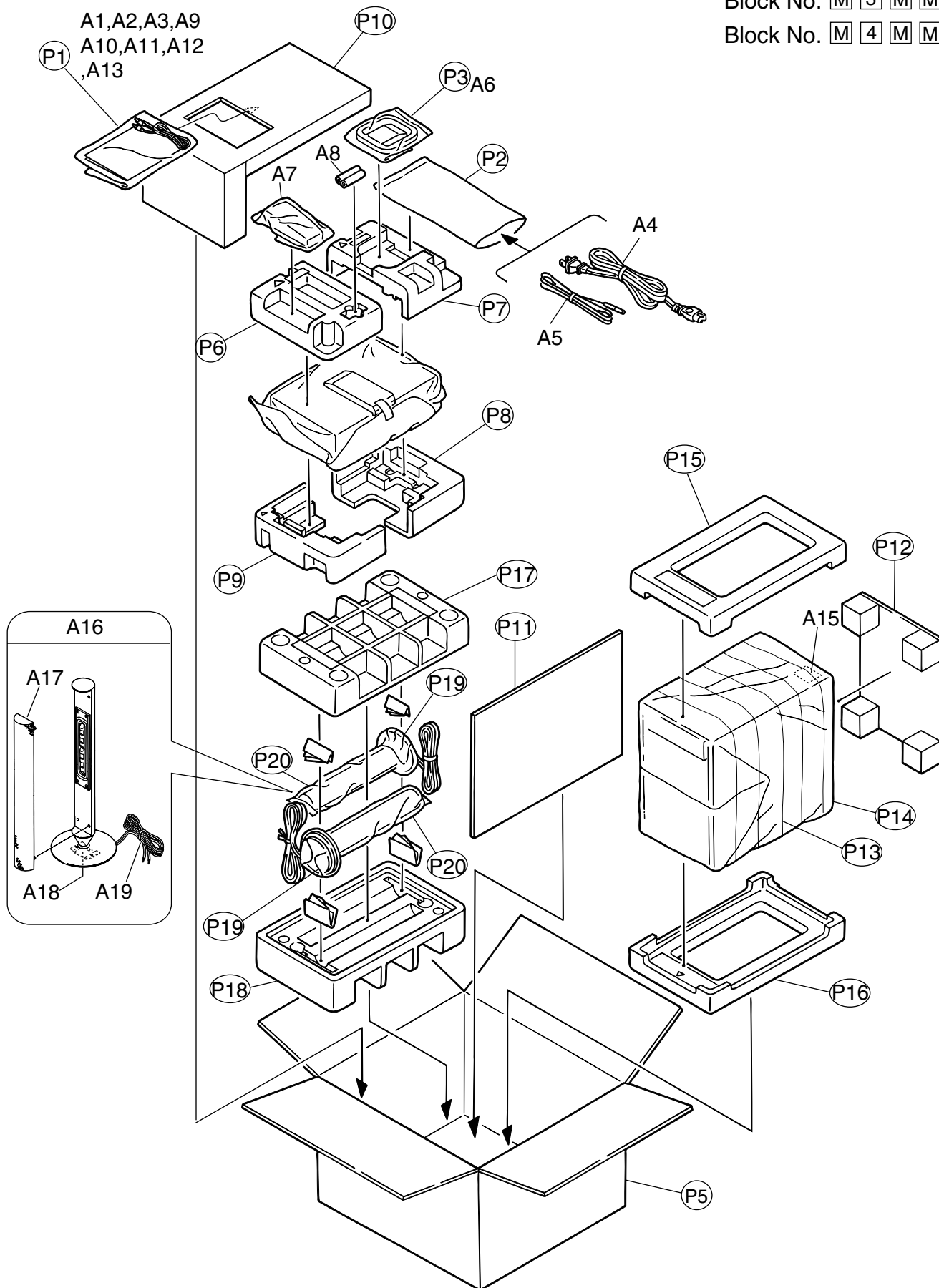
Packing materials and accessories parts list

Block No.

M	3	M	M
---	---	---	---

Block No.

M	4	M	M
---	---	---	---



Parts list(Packing)

Block No. M3MM

△	Item	Parts number	Parts name	Q'ty	Description	Area
	P 1	QPA02503503P	POLY BAG	1	FOR INST	
	P 2	QPA01503503	POLY BAG	1	FOR P.CORD	
	P 3	QPA01702503P	POLY BAG	1	FOR AM ANT.	
	P 4	QPC04504515P	POLY BAG	1	FOR SET	
	P 5	LV32723-001A	CARTON	1		
	P 6	LV20760-001A	CUSHION TOP(L)	1	TOP (L)	
	P 7	LV20760-002A	CUSHION TOP(R)	1	TOP (R)	
	P 8	LV20761-001A	CUSHION BTM (L)	1	BOTTOM (L)	
	P 9	LV20761-002A	CUSHION BTM (R)	1	BOTTOM (R)	
	P 10	LV32773-001A	CARTON SPACER	1		
	P 11	LV32774-001A	PARTING CARTON	1		
	P 12	LV32781-001A	CARTON SHEET	1		
	P 13	85-000-353-41	MIRROR MAT	1	SP-PW1000	
	P 14	85-000-377-41	POLY BAG	1	SP-PW1000	
	P 15	80-000-450-01	CUSHION TOP	1	SP-PW1000	
	P 16	80-000-450-11	CUSHION BOTTOM	1	SP-PW1000	
	P 17	80-000-443-01	TOP CUSHION	1	SP-FSSD1000	
	P 18	80-000-443-11	BOTTOM CUSHION	1	SP-FSSD1000	
	P 19	85-000-357-41	POLY BAG	1	SP-FSSD1000	
	P 20	85-000-357-31	POLY BAG	1	SP-FSSD1000	

Parts list(Accessories)

Block No. M4MM

△	Item	Parts number	Parts name	Q'ty	Description	Area
	A 1	QAM0199-001	PIN CABLE	1		
	A 2	LVT0685-013B	INST BOOK	1	ENG	J
		LVT0685-001B	INST.BOOK	1		C
	A 3	LV42286-001A	FOOT	1		
△	A 4	QMPE090-183-JD	POWER CORD	1		
	A 5	EWP503-001C	ANT.WIRE	1	FM ANT	
	A 6	QAL0014-001	AM LOOP ANT	1	AM ANT	
	A 7	RM-SFSSD1000J	REMOCON UNIT	1		
	A 8	-----	BATTERY	2	FOR REMOCON	
	A 9	BT-51020-2	J=REGIST CARD	1		
	A 10	BT-20044G	SAFETY SHEET	1		
	A 11	YU20333	SAFETY INST.	1		
	A 12	BT-20071B	SERVICE NETWORK	1		C
	A 13	BT-52004-1	WARRANTY CARD	1		C
	A 14	QPF02604415	SHEET	1		
	A 15	60-001-841-01	CAUTION LABEL	1	SP-PW1000	
	A 16	FSSD1000K-SPBOX	SPEAKER BOX	2	SP-FSSD1000	
	A 17	55-100-047-01	SPEAKER NET	2	SP-FSSD1000	
	A 18	90-000-064-01	TERMINAL COVER	2	SP-FSSD1000	
	A 19	62-000-409-01	SPEAKER CORD	2	SP-FSSD1000	